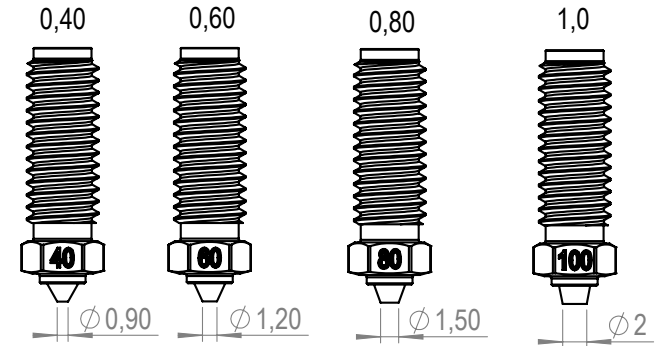
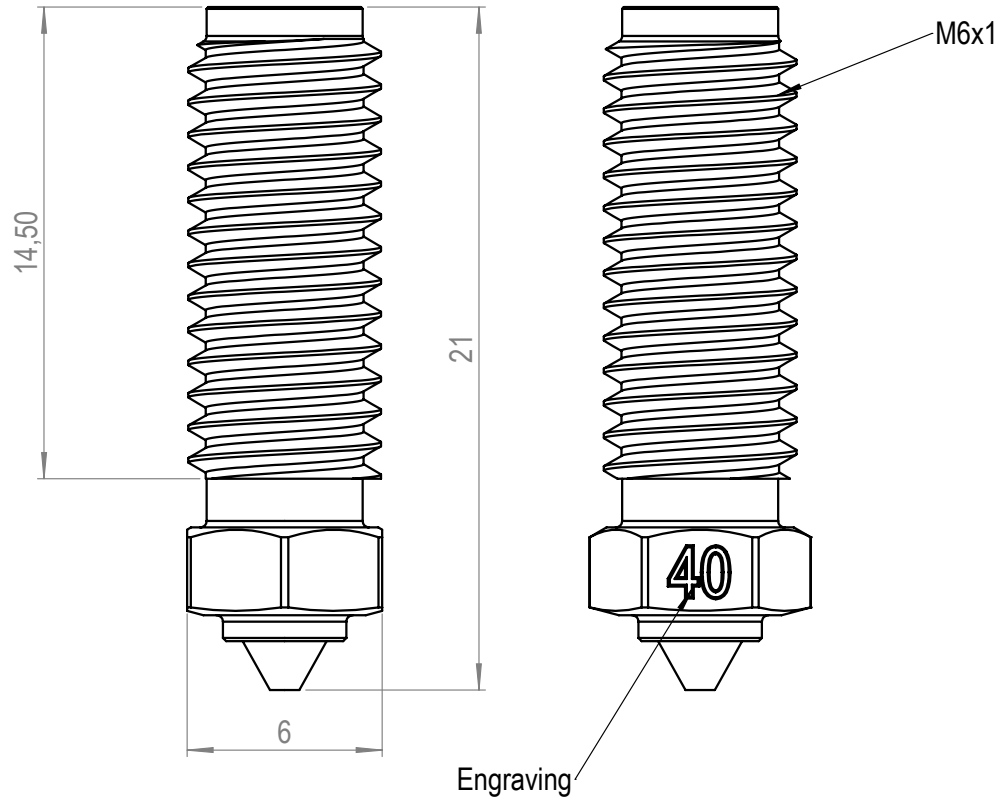


#nozzles

600-A-CHT-VOL-175

SKU



NAME CHT BiMetal Vol Coated Nozzles

TYPE Nozzles

SKU 600-A-CHT-VOL-175

Specifications

Available Sizes	0.40, 0.50, 0.60, 0.80, 1.0
Thread	M6x1 Thread length: 14.5mm
Hex Size	6mm
Total Length	21mm
Working Temperature	Up to 450°C
Areas Of Use	PLA, ABS, HIPS, PC, TPU, TPE, NYLON, PETG, ASA, PP, PVA and Abrasive material e.g Carbon fiber and Glass composite materials
Tightening Torque	Recommended 0.5 Nm Max 1.0 Nm

Compatibility

E3D Volcano blocks	Creality K1
Other Volcano type blocks	FLSUN Super Racer
Artillery Sidewinder X1 and X2	Artillery Genius Pro
Anycubic Vyper	
Anycubic Kobra and Kobra Max	
Lulzbot TAZ MOARstruder	
Others compatible with Volcano	